

RMB92

9" Video Monitor — Black & White

ELECTRICAL

| | |
|-------------------------------|--|
| System: | EIA or CCIR Standard (Dual system) |
| Picture Tube: | 9" measured diagonally |
| Horizontal Resolution: | >1000 TV Lines (Center) >800 TV Lines (Corners) |
| Video Input: | Composite: 1V p.-p. |
| Video Input Impedence: | High (Loop Through) 75Ω terminated |
| Bandwidth: | 6MHz (-3dB) |
| Video Gain: | 30dB |
| Linearity: | Horizontal: 10% Max. Vertical: 10% Max. |
| Power Requirement: | 100~240V AC, 50/60 Hz |
| Power Consumption: | 28W |

ENVIRONMENTAL

| | |
|-------------------------------|---------------------------------|
| Operating Temperature: | 14° F to 130°F (-10° C to 55°C) |
| Storage Temperature: | -4° F to 158°F (-20° C to 70°C) |
| Humidity: | 10 to 95%, non-condensing |

CERTIFICATIONS

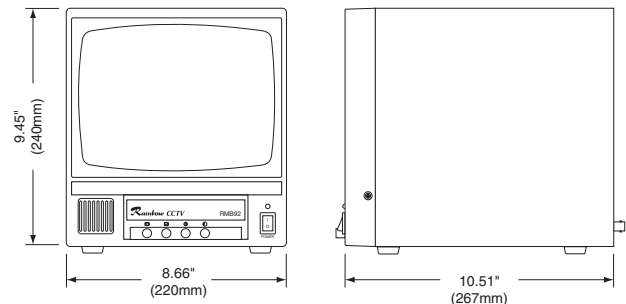
UL, CUL, CE, FDA, FCC

GENERAL

| | |
|--------------------|---|
| Dimensions: | 8.66 × 9.45 × 10.51 in. (w/h/d) 220 × 240 × 267 mm |
| Weight: | Approx. 14.3lb (6.5kg) |

CONTROLS / CONNECTORS

| | |
|---------------|--|
| Front: | Horizontal Hold (rotary knob) Vertical Hold (rotary knob) Brightness (rotary knob) Contrast (rotary knob) Contrast (rotary knob) Volume (rotary knob) |
| Rear: | Video IN-OUT (BNC) Audio IN-OUT (RCA) Impedance Switch: HIGH, LOW (75Ω) |



RMB122

12" Video Monitor — Black & White

ELECTRICAL

| | |
|-------------------------------|--|
| System: | EIA or CCIR Standard (Dual system) |
| Picture Tube: | 12" measured diagonally |
| Horizontal Resolution: | >1000 TV Lines (Center) >800 TV Lines (Corners) |
| Video Input: | Composite: 1V p.-p. |
| Video Input Impedence: | High (Loop Through) 75Ω terminated |
| Bandwidth: | 6MHz (-3dB) |
| Video Gain: | 30dB |
| Linearity: | Horizontal: 10% Max. Vertical: 10% Max. |
| Power Requirement: | 100~240V AC, 50/60 Hz |
| Power Consumption: | 30W |

ENVIRONMENTAL

| | |
|-------------------------------|---------------------------------|
| Operating Temperature: | 14° F to 130°F (-10° C to 55°C) |
| Storage Temperature: | -4° F to 158°F (-20° C to 70°C) |
| Humidity: | 10 to 95%, non-condensing |

CERTIFICATIONS

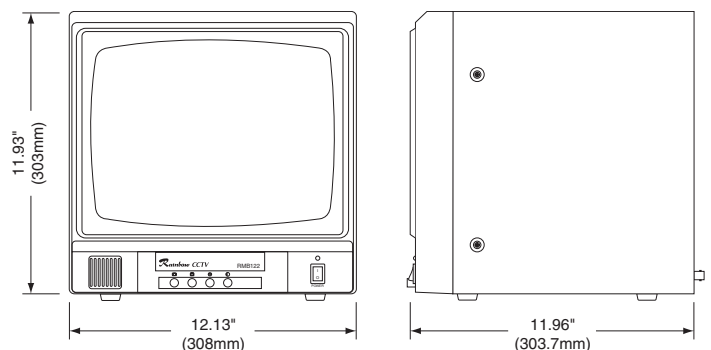
UL, CUL, CE, FDA, FCC

GENERAL

| | |
|--------------------|---|
| Dimensions: | 12.13 × 11.93 × 11.96 in. (w/h/d) 308 × 303 × 303.7 mm |
| Weight: | Approx. 19.8lb (9kg) |

CONTROLS / CONNECTORS

| | |
|---------------|--|
| Front: | Horizontal Hold (rotary knob) Vertical Hold (rotary knob) Brightness (rotary knob) Contrast (rotary knob) Volume (rotary knob) |
| Rear: | Video IN-OUT (BNC) Audio IN-OUT (RCA) Impedance Switch: HIGH, LOW (75Ω) |



RMB15

15" Video Monitor — Black & White

ELECTRICAL

| | |
|-------------------------------|--|
| System: | EIA or CCIR Standard (Dual system) |
| Picture Tube: | 15" measured diagonally |
| Horizontal Resolution: | >1000 TV Lines (Center) >800 TV Lines (Corners) |
| Video Input: | Composite: 1V p.-p. |
| Video Input Impedence: | High (Loop Through) 75Ω terminated |
| Bandwidth: | 6MHz (-3dB) |
| Video Gain: | 30dB |
| Linearity: | Horizontal: 10% Max. Vertical: 10% Max. |
| Power Requirement: | 100~240V AC, 50/60 Hz |
| Power Consumption: | 40W |

ENVIRONMENTAL

| | |
|-------------------------------|---------------------------------|
| Operating Temperature: | 14° F to 130°F (-10° C to 55°C) |
| Storage Temperature: | -4° F to 158°F (-20° C to 70°C) |
| Humidity: | 10 to 95%, non-condensing |

CERTIFICATIONS

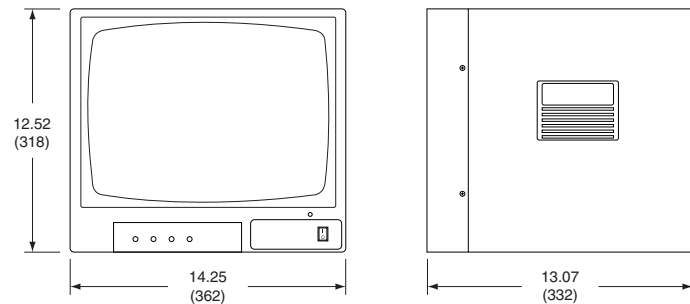
UL, CUL, CE, FDA, FCC

GENERAL

| | |
|--------------------|---|
| Dimensions: | 14.25 × 12.52 × 13.07 in. (w/h/d) 362 × 318 × 332 mm |
| Weight: | Approx. 28.7lb (13kg) |

CONTROLS / CONNECTORS

| | |
|---------------|--|
| Front: | Horizontal Hold (rotary knob) Vertical Hold (rotary knob) Brightness (rotary knob) Contrast (rotary knob) Volume (rotary knob) |
| Rear: | Video IN-OUT (BNC) Audio IN-OUT (RCA) Impedance Switch: HIGH, LOW (75Ω) |



RMC10

10" Video Monitor — Color

ELECTRICAL

| | |
|-------------------------------|--|
| System: | NTSC or PAL Standard (Dual system) |
| Picture Tube: | 10" measured diagonally |
| Horizontal Resolution: | 500 TV Lines |
| Video Input: | Composite: 1V p.-p. |
| Video Input Impedance: | High (Loop Through) 75Ω terminated |
| Bandwidth: | 6MHz (-3dB) |
| Video Gain: | 30dB |
| Linearity: | Horizontal: 10% Max. Vertical: 10% Max. |
| Power Requirement: | 100~240V AC, 50/60 Hz |
| Power Consumption: | 40W |

ENVIRONMENTAL

| | |
|-------------------------------|---------------------------------|
| Operating Temperature: | 14° F to 130°F (-10° C to 55°C) |
| Storage Temperature: | -4° F to 158°F (-20° C to 70°C) |
| Humidity: | 10 to 95%, non-condensing |

CERTIFICATIONS

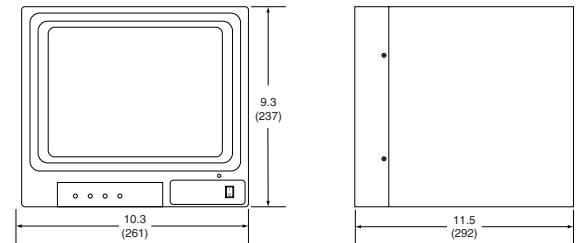
UL, CUL, CE, FDA, FCC

GENERAL

| | |
|--------------------|---|
| Dimensions: | 10.3 × 9.3 × 11.5 in. (w/h/d) 261 × 237 × 292 mm |
| Weight: | Approx. 18lb (8kg) |

CONTROLS / CONNECTORS

| | |
|---------------|---|
| Front: | Tint (rotary knob) Color (rotary knob) Brightness (rotary knob) Contrast (rotary knob) Volume (rotary knob) |
| Rear: | Video IN-OUT (BNC) Audio IN-OUT (RCA) Impedance Switch: HIGH, LOW (75Ω) |



RMC14

14" Video Monitor — Color

ELECTRICAL

| | |
|-------------------------------|--|
| System: | NTSC or PAL Standard (Dual system) |
| Picture Tube: | 14" measured diagonally |
| Horizontal Resolution: | 500 TV Lines |
| Video Input: | Composite: 1V p.-p. |
| Video Input Impedance: | High (Loop Through) 75Ω terminated |
| Bandwidth: | 6MHz (-3dB) |
| Video Gain: | 30dB |
| Linearity: | Horizontal: 10% Max. Vertical: 10% Max. |
| Power Requirement: | 100~240V AC, 50/60 Hz |
| Power Consumption: | 55W |

ENVIRONMENTAL

| | |
|-------------------------------|---------------------------------|
| Operating Temperature: | 14° F to 130°F (-10° C to 55°C) |
| Storage Temperature: | -4° F to 158°F (-20° C to 70°C) |
| Humidity: | 10 to 95%, non-condensing |

CERTIFICATIONS

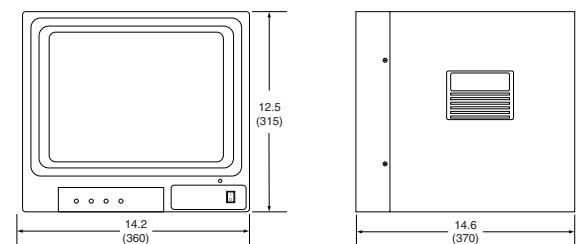
UL, CUL, CE, FDA, FCC

GENERAL

| | |
|--------------------|--|
| Dimensions: | 14.2 × 12.5 × 14.6 in. (w/h/d) 360 × 315 × 370 mm |
| Weight: | Approx. 33lb (15kg) |

CONTROLS / CONNECTORS

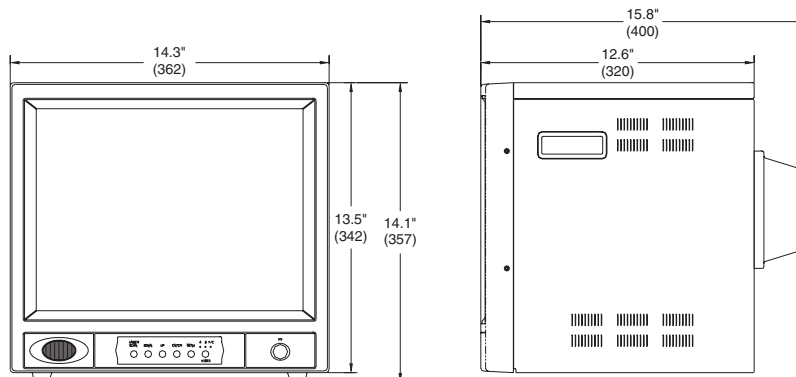
| | |
|---------------|--|
| Front: | Tint (rotary knob) Color (rotary knob) Brightness (rotary knob) Contrast (rotary knob) Volume (rotary knob) |
| Rear: | Video IN-OUT (BNC), IN (S-Video) Audio IN-OUT (RCA) Video Selection: BNC or S-Video Impedance Switch: HIGH, LOW (75Ω) |





- 15-inch flat and square screen CRT
- 520 TV lines resolution
- Multi-language On Screen Display (OSD)
- Looping Video inputs/outputs with auto-termination (2 BNC, 1 Y/C)
- Audio inputs/outputs (2)
- Front panel video input selection (A/B/YC manual or auto-switching)
- NTSC/PAL compatible
- 96~256VAC 50/60Hz power input
- Underscan feature

| Model | RMC15 |
|-----------------------|---|
| System | NTSC or PAL (auto-sensing) |
| Horizontal Resolution | 520 lines Horizontal / 480 lines vertical |
| Video Input | 1Vp-p composite video, S-Video |
| Input Impedence | 75 ohms (auto terminating) |
| Bandwidth | 6MHz (-3dB) |
| Video Gain | 30db |
| Linearity | Horizontal: 10% Maximum / Vertical: 10% Maximum |
| Power Input | 96~256VAC 50/60Hz |
| Power Consumption | 75W |
| Operating Temperature | 14 to 130° F (-10 to 50° C) |
| Storage Temperature | -4 to 158° F (-20 to 70° C) |
| Humidity | 30 to 90% RH |
| Certifications | UL, CUL, CE, FDA, FCC, BSMI |
| Dimensions | 14.3 x 14.1 x 15.8 inches w/h/d (362 x 357 x 400mm) |
| Weight | Approx. 36 lbs. (16.5kg) |
| Construction | Steel cabinet with plastic front panel |
| Front Controls | Power ON/OFF switch / Under Scan / Channel Selection (A/B/YC) Color / Contrast / Brightness / Tint / Volume / Language |
| Rear Panel Connectors | Video in/out x2 (BNC) - Channels A/B Y/C in/out (4-pin DIN) - Channel Y Audio in/out x2 (RCA) - For channels A/B |
| Audio Input Signal | 300~500mVp-p |



Specifications subject to change without notice