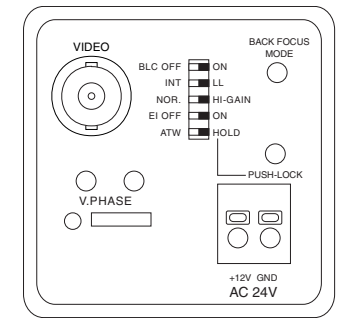
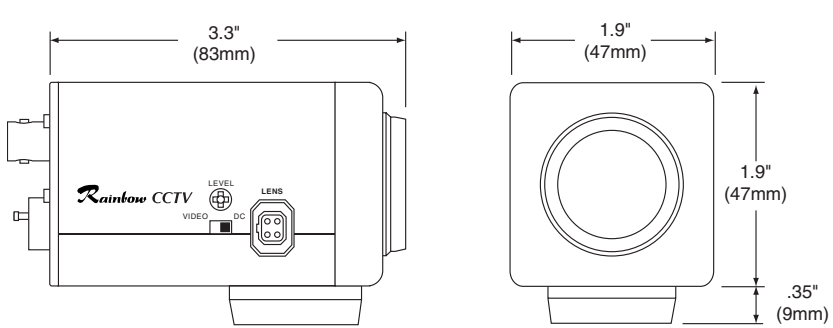
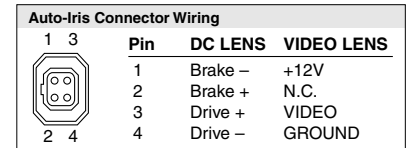




- 1/3" Color DSP Sony Super HAD CCD
- 460 TV lines, 0.3 lux
- 12VDC or 24VAC input
- Backlight compensation
- Built-in isolated power supply
- 3-year warranty
- Backfocus Mode™ for easy, one touch backfocusing. No more filters or numerous adjustments for lens/camera setup. Push the button, focus the lens and you're done!

Model	CLD46D
Image Sensor	1/3" Interline Transfer Sony Super HAD CCD
TV System	NTSC
Picture Elements (pixels)	768 (H) x 494(V)
Horizontal Resolution	460 TV Lines
Min. Illumination	1.0 lux (Normal AGC Mode) / 0.3 lux (Hi-Gain AGC Mode) at F1.2
Signal to Noise Ratio	More than 48dB
Synchronizing System	Phase Adjustable Line Lock - Range 0~350° / Internal Selectable
Video Output	1Vp-p 75ohm
Auto-Iris Drive	DC or Video Type (4-pin square connector)
White Balance	Range of 2700~7000° K Auto or Hold Mode (Push Lock)
Electronic Iris	1/60-1/100,000 - On/Off Selectable
BLC (Backlight Compensation)	On/Off Selectable (Center Zone Detection)
AGC (Automatic Gain Control)	Normal Mode / Hi-Gain Mode Selectable
Power Requirement	12VDC/24VAC ±20% (Isolated Power Supply Built Into Camera)
Operating Current	250mA Max
Operating Condition	+14 ~ 122°F (-10°C ~ +50°C) Within 85% RH
Lens Mount	CS/C (C-mount adapter included) with Cam-type Backfocus Adjustment
Dimensions – w/h/d	1.9 x 1.9 x 3.3 inches (47 x 47 x 83mm)
Weight / Color	7.1 oz. (200g) / Ivory
Included Accessories	CS/C mount adapter, 4-pin iris connector

Recommended Lenses (Additional lens types are available)			
Type	Focal Length	Field of View	Model Number
Vari-Focal with DC auto-iris	2.7~12mm	97.4~23.8°	L212AVDC4PIR
	3~8mm	92.9~35.7°	L308VDC4PIR
	5~55mm	53.1~4.8°	L555VDC4P



Specifications subject to change without notice