

FEATURES

- 1/3" Color DSP (Sony chipset)
- 460 TV lines resolution
- High sensitivity of 0.3 lux
- 12VDC or 24VAC input
- Electronic iris
- Backlight compensation
- Built-in isolated power supply
- 3-year warranty
- **Backfocus Mode™** for easy, one touch backfocusing. No more filters or numerous adjustments for lens/camera setup. Push the button, focus the lens and you're done!



SPECIFICATIONS

Camera Model	CLD46DX
Image Sensor	Interline 1/3" Sony Super HAD CCD™
TV System	PAL Standard
Effective Pixels	752 (H) x 582 (V)
Horizontal Resolution	460 TV Lines
Signal to Noise Ratio	More than 48dB
Minimum Illumination	1.0 lux (Normal Mode) / 0.3 lux (Hi-Gain Mode) at F1.2
Video Output	1Vp-p, 75 ohm
Sync System	Phase Adjustable Line Lock – Range 0~350°/Internal Selectable
Auto-Iris Drive	DC or Video Type (4-pin square connector)
Electronic Iris	1/50~1/100,000 sec. – On/Off Selectable
BLC (Backlight Compensation)	Backlight Compensation – On/Off Selectable (Center Zone Detection)
AGC (Automatic Gain Control)	Normal Gain / Hi-Gain Selectable
Auto White Balance (ATW)	Range of 2,700 °K ~ 7000 °K Auto or Hold Mode (Push Lock)
Power Requirement	12VDC or 24VAC ±10% 50Hz, 250mA Max. Isolated Power Supply Built Into Camera
Operating Condition	14° F to 122° F (-10° C to 50° C), Within 85% RH
Lens Mount	CS/C (C-mount adapter included), with Cam-type Backfocus Adjustment
Camera Mount	1/4" – 20 (Top or Bottom Selectable)
Dimensions (w/h/d)	1.9 x 1.9 x 3.3 inches (47mm x 47mm x 83mm)
Weight, Color	7.1 oz. (200g), Off White

Recommended Lenses (Additional lens types are available)

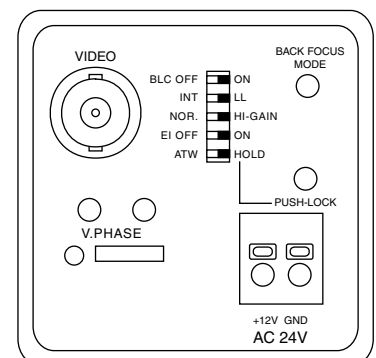
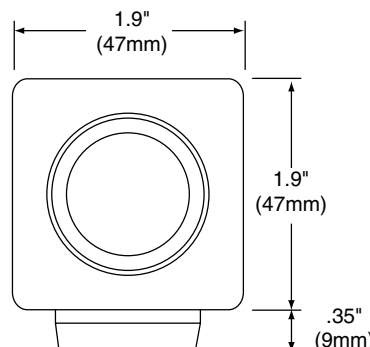
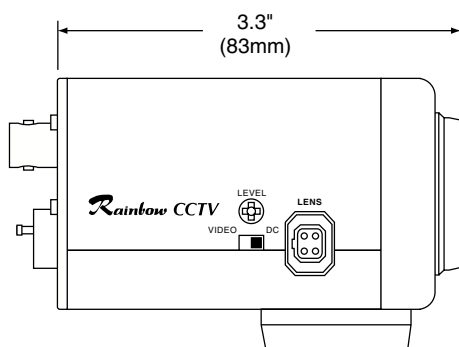
Type	Focal Length	Angle of View	Manual Iris	DC Auto-Iris
Fixed	2.8mm	88°	L28CSWI	L28DC4P
	4mm	64°	L4CSWI	L4DC4P
	6mm	44°	H6 1.2/CS	L6DC4P
	8mm	33°	L8CSWI	L8DC4P
	12mm	23°	H12 1.2/CS	L12DC4P
Vari-Focal	2.8~6.4mm	89~41°	L2864VCS	L2864VDC4P
	3.3~8mm	80~36°	L338VCS	L338VDC4P
	6~12mm	44~23°	H612VCS	L612VDC4P
	6.5~39mm	41~7°	L639VCS	L639VDC4P
	8.5~51mm	32~5°	L851VCS	L851VDC4P

Auto-Iris Connector Wiring

Pin	DC LENS	VIDEO LENS
1	Brake –	+12V
2	Brake +	N.C.
3	Drive +	VIDEO
4	Drive –	GROUND

Rainbow Lens Cable Assembly:

DC Type Lens – DCCA820 (G-II; MG ECO Zoom)
 Video Type Lens – CA120 (E-II, GE-II; MGE ECO Zoom)



Rear Panel Layout