

BIR SERIES BULLET INFRARED ILLUMINATORS

- 50+ foot (16m) range
- Reliable Power Control to minimize heat
- Weatherproof (IP67) housing
- Wide-range 12/24V operation
- Photocell controlled



Total darkness viewing to 50+ feet (16m)

The 28 high-performance LED's provide excellent output in total darkness to distances of over 50 feet (16m). The covert version (invisible LED's) will reach distances of 20+ feet (7m).

Reliable Power Control

IR LED's generate heat that can shorten the life of the illuminator. The BIR Series RPC (Reliable Power Control) is designed to minimize the LED heat to extend the lifespan of the entire unit.

Weatherproof housing (IP67)

Each illuminator must pass a 24-hour test underwater to ensure the unit will remain weatherproof and maintain its IP rating.

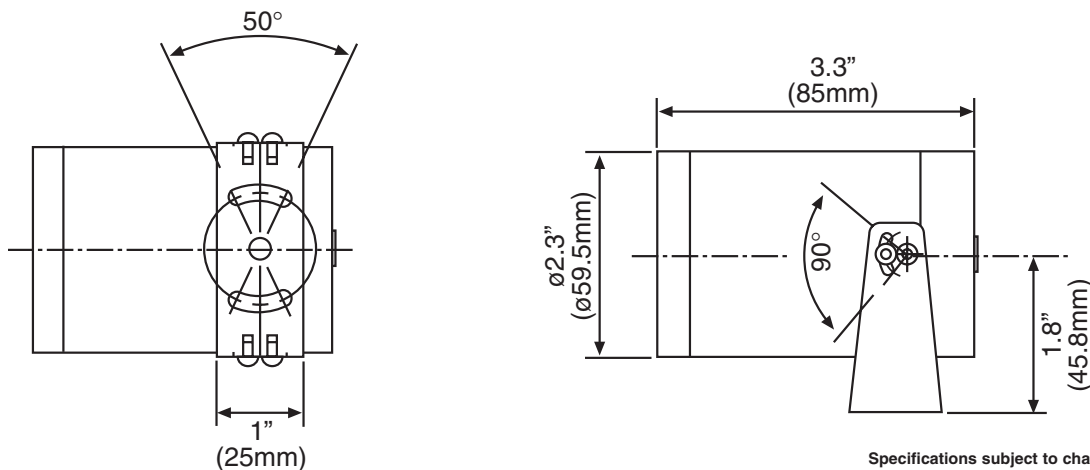
Wide-range 12/24 power

The flexibility of 12VDC or 24VAC operation is combined with the added security of a wide-range voltage tolerance for those tricky applications. 11~40VDC / 10~30VAC.

Photocell controlled

Automatic on/off operation extends the life of the LED's.

| Model | BIR2385 | BIR2394 |
|-----------------------|--|------------------|
| Typical range | 50+ feet (16m) | 20+ feet (7m) |
| LED's | 850nm semi-visible ×28 | 940nm covert ×28 |
| LED beam width | 30° | |
| Power source | 12VDC (Tolerance DC 11V~40V) 24VAC (Tolerance AC 10V~30V) | |
| Operation current | 250mA Maximum | |
| Operating Temperature | 14°~122°F (-10°~ + 50°C) | |
| Humidity | Within 90% RH | |
| Power input cable | 6' (900mm) cable with bare wires | |
| Measurement (dia./d) | ø2.3 × 3.3 inches (59.5mm ×85mm) | |
| Weight | 14.1 oz. (400g) | |



Specifications subject to change without notice