

Features

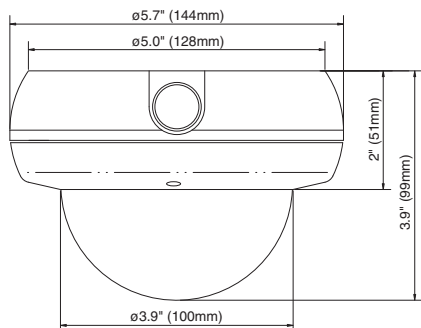
- 1/3" Color Sony Super HAD CCD
- Available in 460 lines & 580 lines
- 3.8~9.5mm vari-focal lens (9~22mm optional)
- Basic Day/Night (not IR sensitive)
- Weatherproof (IP66)
- 3-D camera bracket
- Installer video out
- 3-year warranty



DN BASIC DAY / NIGHT

Model	HDCVF3DQ	HDCVF3D	HDCVF9DQ	HDCVF9D
With Heater	HDCVF3DHQ	HDCVF3DH	HDCVF9DHQ	HDCVF9DH
Image Sensor	1/3" Sony Super HAD CCD			
Horizontal Resolution	580 TV Lines	460 TV Lines	580 TV Lines	460 TV Lines
Min. Illumination	0.5 lux at F1.3	0.7 lux at F1.3	0.7 lux at F1.3	0.9 lux at F1.6
Lens	3.8~9.5mm F1.3 DC auto-iris (Aspheric)		9~22mm F1.6 DC auto-iris	
Field of View (lens)	65~28° Horizontal		29~12° Horizontal	
TV System	NTSC			
Picture Elements (pixels)	768 (H) × 494 (V)			
Signal to Noise Ratio	More than 48dB			
Synchronizing System	Internal			
Video Output	1Vp-p 75ohm			
Gamma Correction	r = 0.45			
Adjustments	Auto White Balance Anti-Color-Rolling BLC, AGC, Mirror	AWB Low/High BLC On/Off Lens Level	Auto White Balance Anti-Color-Rolling BLC, AGC, Mirror	AWB Low/High BLC On/Off Lens Level
Power Requirement	12VDC/24VAC 250mA Max (24VAC 500mA Max for models with heater)			
Operating Condition	+14 ~ 122°F (-10°C ~ +50°C) / -40 ~ 122°F (-40° ~ +50°C) with heater			
Measurements	ø5.7 × 3.9 inches (ø144mm × 99mm)			
Weight	1.4 lbs. (650g)			
Available Accessories	HDCVFWB - Wall Bracket / HDCPM - Pendant Mount Bracket / HDCVFHK - Heater kit (24VAC only)			

Specifications subject to change without notice



HDCPM
Pendant Mount
Bracket



HDCVFWB
Wall Mount Bracket