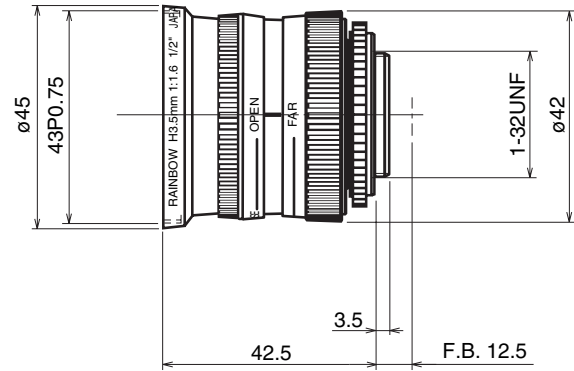


## H35CSWI

### 3.5mm F1.6 – CS-Mount

Compatible with 1/2", 1/3" & 1/4" Cameras

<b>Focal Length:</b>	3.5mm
<b>Max. Relative Aperture:</b>	1:1.6
<b>Iris:</b>	F1.6~Close
<b>Angular Field of View:</b>	1/2": 84.9° × 68.9° 1/3": 68.9° × 54.4° 1/4": 54.4° × 42.2°
<b>Min. Object Distance (M.O.D.):</b>	0.1m (From Front Vertex)
<b>Optical Back Focal Distance:</b>	11.45mm (In Air)
<b>Operation:</b>	Focus: Manual Iris: Manual
<b>Operation Temperature:</b>	-10 ~ +50°C (+14 ~ 122° F)
<b>Filter Size:</b>	43mm P0.75
<b>Size, Approx. Weight:</b>	ø45 × 42.5mm, 90g (Approx. ø1.8 × 1.7in., 3.1oz.)

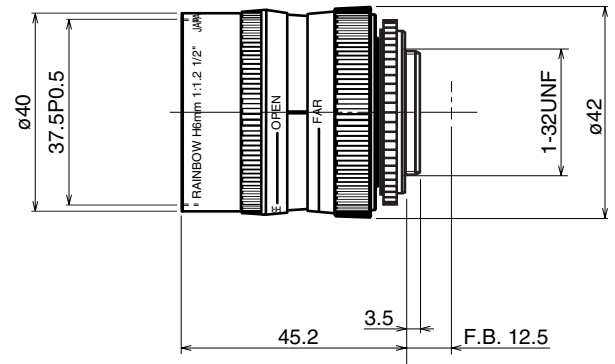


## H6CSWI

### 6mm F1.2 – CS-Mount

Compatible with 1/2", 1/3" & 1/4" Cameras

<b>Focal Length:</b>	6mm
<b>Max. Relative Aperture:</b>	1:1.2
<b>Iris:</b>	F1.2~Close
<b>Angular Field of View:</b>	1/2": 56.1° × 43.6° 1/3": 43.6° × 33.4° 1/4": 33.4° × 25.4°
<b>Min. Object Distance (M.O.D.):</b>	0.2m (From Front Vertex)
<b>Optical Back Focal Distance:</b>	12.12mm (In Air)
<b>Operation:</b>	Focus: Manual Iris: Manual
<b>Operation Temperature:</b>	-10 ~ +50°C (+14 ~ 122° F)
<b>Filter Size:</b>	37.5mm P0.5
<b>Size, Approx. Weight:</b>	ø40 × 45.2mm, 90g (Approx. ø1.6 × 1.8in., 3.1oz.)



## H12CSWI

### 12mm F1.2 – CS-Mount

Compatible with 1/2", 1/3" & 1/4" Cameras

<b>Focal Length:</b>	12mm
<b>Max. Relative Aperture:</b>	1:1.2
<b>Iris:</b>	F1.2~Close
<b>Angular Field of View:</b>	1/2": 29.9° × 22.6° 1/3": 22.6° × 17.1° 1/4": 17.1° × 12.8°
<b>Min. Object Distance (M.O.D.):</b>	0.3m (From Front Vertex)
<b>Optical Back Focal Distance:</b>	12.66mm (In Air)
<b>Operation:</b>	Focus: Manual Iris: Manual
<b>Operation Temperature:</b>	-10 ~ +50°C (+14 ~ 122° F)
<b>Filter Size:</b>	37.5mm P0.5
<b>Size, Approx. Weight:</b>	ø40 × 45.2mm, 90g (Approx. ø1.6 × 1.8in., 3.1oz.)

