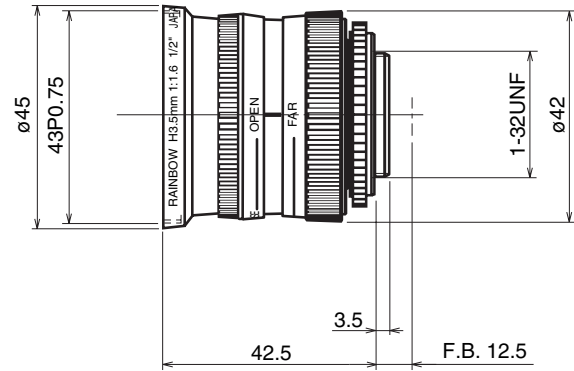


H35CSWI

3.5mm F1.6 – CS-Mount

Compatible with 1/2", 1/3" & 1/4" Cameras

Focal Length:	3.5mm
Max. Relative Aperture:	1:1.6
Iris:	F1.6~Close
Angular Field of View:	1/2": 84.9° × 68.9° 1/3": 68.9° × 54.4° 1/4": 54.4° × 42.2°
Min. Object Distance (M.O.D.):	0.1m (From Front Vertex)
Optical Back Focal Distance:	11.45mm (In Air)
Operation:	Focus: Manual Iris: Manual
Operation Temperature:	-10 ~ +50°C (+14 ~ 122° F)
Filter Size:	43mm P0.75
Size, Approx. Weight:	ø45 × 42.5mm, 90g (Approx. ø1.8 × 1.7in., 3.1oz.)

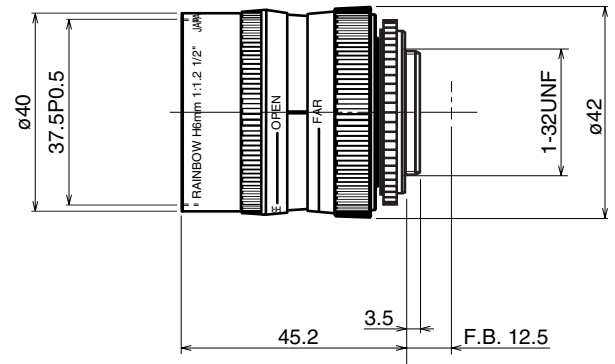


H6CSWI

6mm F1.2 – CS-Mount

Compatible with 1/2", 1/3" & 1/4" Cameras

Focal Length:	6mm
Max. Relative Aperture:	1:1.2
Iris:	F1.2~Close
Angular Field of View:	1/2": 56.1° × 43.6° 1/3": 43.6° × 33.4° 1/4": 33.4° × 25.4°
Min. Object Distance (M.O.D.):	0.2m (From Front Vertex)
Optical Back Focal Distance:	12.12mm (In Air)
Operation:	Focus: Manual Iris: Manual
Operation Temperature:	-10 ~ +50°C (+14 ~ 122° F)
Filter Size:	37.5mm P0.5
Size, Approx. Weight:	ø40 × 45.2mm, 90g (Approx. ø1.6 × 1.8in., 3.1oz.)



H12CSWI

12mm F1.2 – CS-Mount

Compatible with 1/2", 1/3" & 1/4" Cameras

Focal Length:	12mm
Max. Relative Aperture:	1:1.2
Iris:	F1.2~Close
Angular Field of View:	1/2": 29.9° × 22.6° 1/3": 22.6° × 17.1° 1/4": 17.1° × 12.8°
Min. Object Distance (M.O.D.):	0.3m (From Front Vertex)
Optical Back Focal Distance:	12.66mm (In Air)
Operation:	Focus: Manual Iris: Manual
Operation Temperature:	-10 ~ +50°C (+14 ~ 122° F)
Filter Size:	37.5mm P0.5
Size, Approx. Weight:	ø40 × 45.2mm, 90g (Approx. ø1.6 × 1.8in., 3.1oz.)

