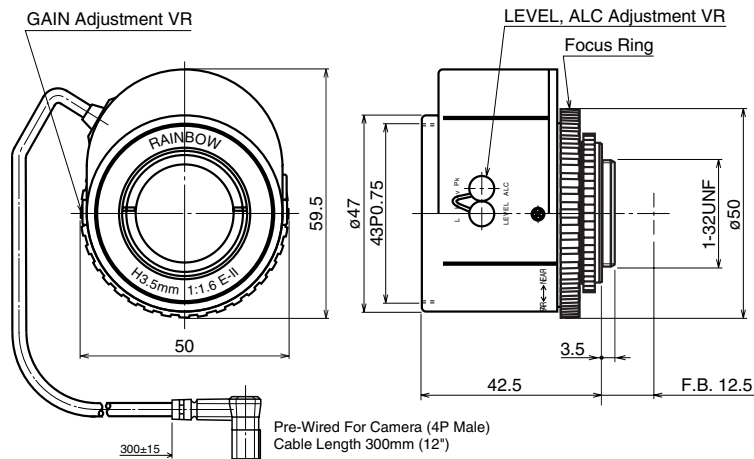


**H35ECS****3.5mm F1.6 – CS-Mount**

Compatible with 1/2", 1/3" &amp; 1/4" Cameras

<b>Focal Length:</b>	3.5mm
<b>Max. Relative Aperture:</b>	1:1.6
<b>Iris:</b>	F1.6~Approx. F360 With ND Spot Filter
<b>Angular Field of View:</b>	1/2": 84.9° × 68.9° 1/3": 68.9° × 54.4° 1/4": 54.4° × 42.2°
<b>Min. Object Distance (M.O.D.):</b>	0.2m (From Front Vertex)
<b>Optical Back Focal Distance:</b>	11.45mm (In Air)
<b>Operation:</b>	Focus: Manual Iris: Auto (DC+8~16V: Fixed Voltage, Max. 40mA) Auto-Close System Speed Within 4 sec.
<b>Auto-Iris Accuracy:</b>	With Input Video Signal 0.7Vp-p Within ±10% of Mean Value
<b>Auto-Iris Input Signal:</b>	Composite Video Signal or Video Signal
<b>Input Impedance:</b>	High Impedance
<b>Sensitivity Adjustment:</b>	Image Signal Level 0.5~1.5Vp-p
<b>Operation Temperature:</b>	-10 ~ +50°C (+14 ~ 122° F)
<b>Filter Size:</b>	43mm P0.75
<b>Mount:</b>	CS-Mount, (Adjustable Lens Position)
<b>Size, Approx. Weight:</b>	50 × 59.5 × 42.5mm (w/h/d), 85g (Approx. 2.0 × 2.3 × 1.7in., 3.0 oz.)

**Camera Connector Wiring**

Pin	Signal
1	+8-16VDC
2	N.C.
3	Video
4	Ground

VIDEO TYPE LENS

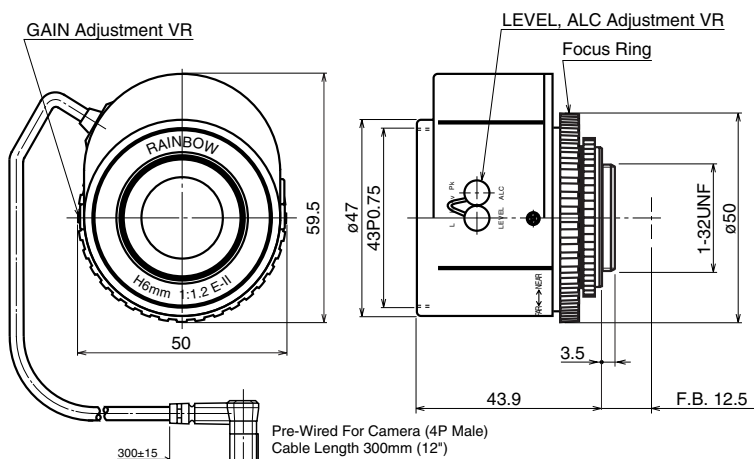
For cameras with standard wiring for Video type lenses (Rainbow, Panasonic, Sanyo, Sony, etc.)

Note: Some brands (incl. Everfocus, Javelin, Watec) use the same 4-pin connector with non-standard wiring. **To avoid camera damage, compare wiring instructions in camera box to this diagram.**

**H6ECS****6mm F1.2 – CS-Mount**

Compatible with 1/2", 1/3" &amp; 1/4" Cameras

<b>Focal Length:</b>	6mm
<b>Max. Relative Aperture:</b>	1:1.2
<b>Iris:</b>	F1.2~Approx. F360 With ND Spot Filter
<b>Angular Field of View:</b>	1/2": 56.1° × 43.6° 1/3": 43.6° × 33.4° 1/4": 33.4° × 25.4°
<b>Min. Object Distance (M.O.D.):</b>	0.2m (From Front Vertex)
<b>Optical Back Focal Distance:</b>	12.12mm (In Air)
<b>Operation:</b>	Focus: Manual Iris: Auto (DC+8~16V: Fixed Voltage, Max. 40mA) Auto-Close System Speed Within 4 sec.
<b>Auto-Iris Accuracy:</b>	With Input Video Signal 0.7Vp-p Within ±10% of Mean Value
<b>Auto-Iris Input Signal:</b>	Composite Video Signal or Video Signal
<b>Input Impedance:</b>	High Impedance
<b>Sensitivity Adjustment:</b>	Image Signal Level 0.5~1.5Vp-p
<b>Operation Temperature:</b>	-10 ~ +50°C (+14 ~ 122° F)
<b>Filter Size:</b>	43mm P0.75
<b>Mount:</b>	CS-Mount, (Adjustable Lens Position)
<b>Size, Approx. Weight:</b>	50 × 59.5 × 43.9mm (w/h/d), 85g (Approx. 2.0 × 2.3 × 1.7in., 3.0 oz.)

**Camera Connector Wiring**

Pin	Signal
1	+8-16VDC
2	N.C.
3	Video
4	Ground

VIDEO TYPE LENS

For cameras with standard wiring for Video type lenses (Rainbow, Panasonic, Sanyo, Sony, etc.)

Note: Some brands (incl. Everfocus, Javelin, Watec) use the same 4-pin connector with non-standard wiring. **To avoid camera damage, compare wiring instructions in camera box to this diagram.**