

**Specifications**

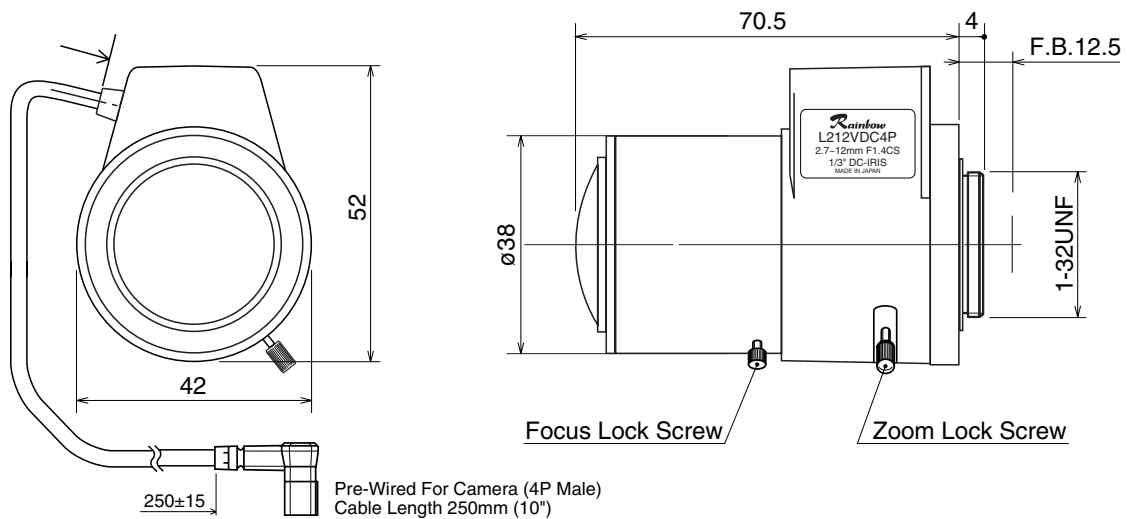
**L212VDC4P**

2.7~12mm F1.4  
DC-type Auto-Iris

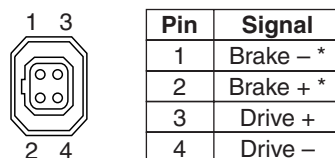
Focal Length:	2.7~12mm
Max. Relative Aperture:	1:1.4
Iris:	F1.4~Approx. F360 Built-in ND Spot Filter
Angular Field of View:	1/3": 83.2° × 67.3° at 2.7mm 22.6° × 17.1° at 12mm
	1/4": 68.2° × 51.5° at 2.7mm 17.1° × 12.8° at 12mm
Min. Object Distance (M.O.D.):	0.25m (From Front Vertex)
Optical Back Focal Distance:	8.526~20.976mm (In Air)
Operation:	Zoom: Manual Focus: Manual Iris: IG (Auto-Close System)
Operation Voltage:	Close to Open: Less than 4V Open to Close: More than 0.5V
Operation Temperature:	-10 ~ +50°C (+14 ~ 122° F)
Filter Size:	None
Mount:	CS-Mount (Adjustable Lens Postion)
Size, Approx. Weight:	42 × 52 × 70.5mm (w/h/d), 80g (Approx. 1.7 × 2.0 × 2.8in., 2.8oz.)



**Dimensions**



**Wiring**



\* Also referred to as DAMP, CONTROL, or DUMP

Specifications subject to change without notice