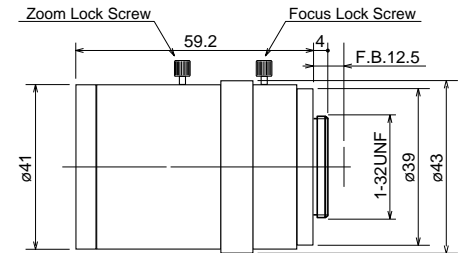


L550AVCS – (Manual Iris)

5~50mm F1.4 – CS-Mount
Compatible with 1/3" & 1/4" Cameras

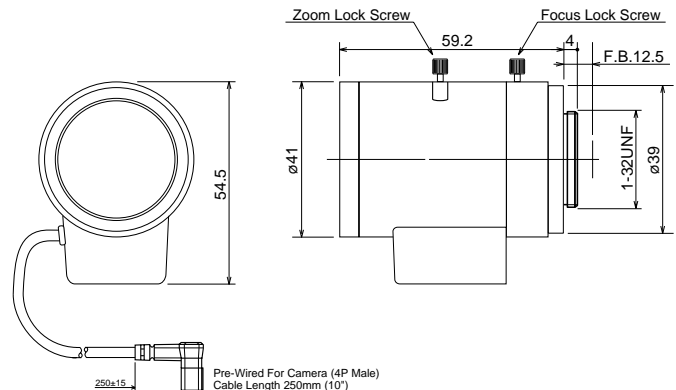
Focal Length:	5~50mm
Max. Relative Aperture:	1:1.4
Iris:	F1.4~Close
Angular Field of View:	1/3": 53.6° × 40.2° at 5mm 5.5° × 4.2° at 50mm 1/4": 40.2° × 30.1° at 5mm 4.1° × 3.1° at 50mm
Min. Object Distance (M.O.D.):	0.3~1.0m (From Front Vertex)
Optical Back Focal Distance:	10.05mm (In Air)
Operation:	Zoom: Manual Focus: Manual Iris: Manual
Operation Temperature:	-10 ~ +50°C (+14 ~ 122° F)
Filter Size:	None
Size, Approx. Weight:	ø43 × 59.2mm, 84g (Approx. ø1.7 × 2.3in., 3.0oz.)



L550AVDC4P – (DC-type auto-iris with 4-pin)

5~50mm F1.4 – CS-Mount
Compatible with 1/3" & 1/4" Cameras

Focal Length:	5~50mm
Max. Relative Aperture:	1:1.4
Iris:	F1.4~Approx. F185 Built-in ND Spot Filter
Angular Field of View:	1/3": 53.6° × 40.2° at 5mm 5.5° × 4.2° at 50mm 1/4": 40.2° × 30.1° at 5mm 4.1° × 3.1° at 50mm
Min. Object Distance (M.O.D.):	0.3~1.0m (From Front Vertex)
Optical Back Focal Distance:	10.05mm (In Air)
Operation:	Zoom: Manual Focus: Manual Iris: IG (Auto-Close System)
Operation Voltage:	Close to Open: Less than 3V Open to Close: More than 0.5V
Operation Temperature:	-10 ~ +50°C (+14 ~ 122° F)
Filter Size:	None
Mount:	CS-Mount (Adjustable Lens Postion)
Size, Approx. Weight:	41 × 54.5 × 59.2mm (w/h/d), 95g (Approx. 1.6 × 2.2 × 2.3in., 3.4oz.)



Camera Connector Wiring	
1 3	Pin Signal
1	Brake – *
2	Brake + *
3	Drive +
4	Drive –

* Also referred to as DAMP, CONTROL, or DUMP