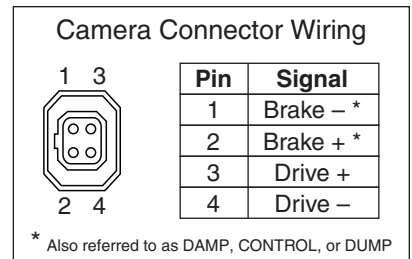
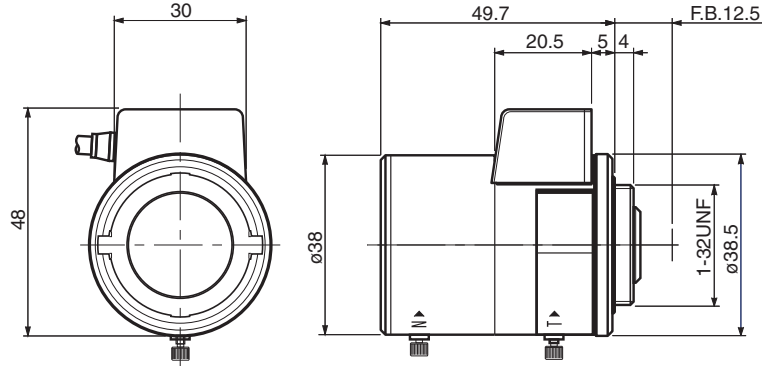


**L308VDC4PIR**

**DAY NIGHT IR**

3~8mm F1.2 – CS-Mount  
Compatible with 1/3" & 1/4" Cameras

**Focal Length:** 3~8mm  
**Max. Relative Aperture:** 1:1.2  
**Iris:** F1.2~Approx. F360  
 With ND Spot Filter  
**Angular Field of View:** 1/3": 92.9° × 68.4° at 3mm  
 35.7° × 26.8° at 8mm  
 1/4": 61.9° × 44.5° at 3mm  
 26.8° × 19.1° at 8mm  
**Min. Object Distance (M.O.D.):** 0.3m (From Front Vertex)  
**Optical Back Focal Distance:** 7.25~12.81mm (In Air)  
**Operation:** Zoom: Manual  
 Focus: Manual  
 Iris: IG (Auto-Close System)  
**Operation Voltage:** Close to Open: Less than 3V  
 Open to Close: More than 0.5V  
**Operation Temperature:** -10 ~ +50°C (+14 ~ 122° F)  
**Filter Size:** None  
**Mount:** CS-Mount  
 (Adjustable Lens Position)  
**Size, Approx. Weight:** 39 × 46.3 × 47mm (w/h/d), 65g  
 (Approx. 1.5 × 1.8 × 1.9in., 2.3oz.)



**L358VDC**

3.5~8mm F1.4 – CS-Mount  
Compatible with 1/3" & 1/4" Cameras

**Focal Length:** 3.5~8mm  
**Max. Relative Aperture:** 1:1.4  
**Iris:** F1.4~Approx. F360  
 With ND Spot Filter  
**Angular Field of View:** 1/3": 68.9° × 54.4° at 3.5mm  
 33.4° × 25.4° at 8mm  
 1/4": 54.4° × 42.2° at 3.5mm  
 25.4° × 19.1° at 8mm  
**Min. Object Distance (M.O.D.):** 0.3m (From Front Vertex)  
**Optical Back Focal Distance:** 8.5~13.2mm (In Air)  
**Operation:** Zoom: Manual  
 Focus: Manual  
 Iris: IG (Auto-Close System)  
**Operation Voltage:** Close to Open: Less than 3V  
 Open to Close: More than 0.5V  
**Operation Temperature:** -10 ~ +50°C (+14 ~ 122° F)  
**Filter Size:** None  
**Mount:** CS-Mount  
 (Adjustable Lens Position)  
**Size, Approx. Weight:** 37 × 44 × 44mm (w/h/d), 67g  
 (Approx. 1.5 × 1.7 × 1.7in., 2.4oz.)

