

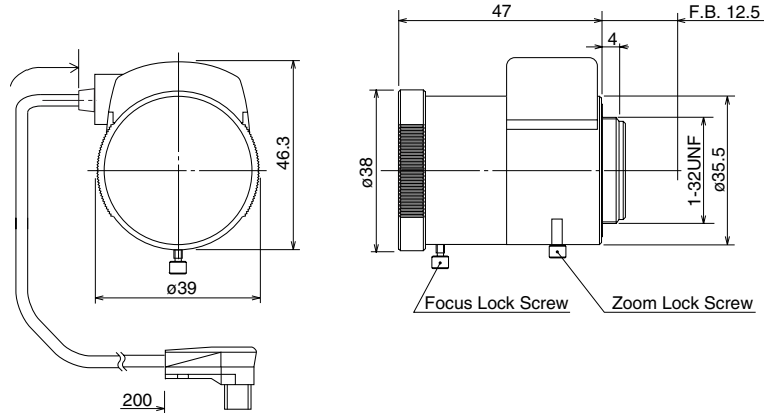
L308VGECS

DAY NIGHT IR

3~8mm F1.4 – CS-Mount

Compatible with 1/3" & 1/4" Cameras
Pre-wired with 4-pin connector

- Focal Length:** 3~8mm
- Max. Relative Aperture:** 1:1.4
- Iris:** F1.4~Approx. F360
With ND Spot Filter
- Angular Field of View:** 1/3": 92.9° × 68.4° at 3mm
35.7° × 26.8° at 8mm
1/4": 61.9° × 44.5° at 3mm
26.8° × 19.1° at 8mm
- Min. Object Distance (M.O.D.):** 0.3m (From Front Vertex)
- Optical Back Focal Distance:** 7.25~12.81mm (In Air)
- Operation:** Zoom: Manual
Focus: Manual
Iris: Auto (DC+6.5~16V: Fixed Voltage, Max. 40mA) Auto-Close System Speed Within 4 sec.
- Auto-Iris Accuracy:** With Input Video Signal 0.7Vp-p Within ±10% of Mean Value
- Auto-Iris Input Signal:** Composite Video Signal or Video Signal
- Input Impedance:** High Impedance
- Sensitivity Adjustment:** Image Signal Level 0.5~1.5Vp-p
- Operation Temperature:** -10 ~ +50°C (+14 ~ 122° F)
- Filter Size:** None
- Mount:** CS-Mount
(Adjustable Lens Position)
- Size, Approx. Weight:** 39 × 46.3 × 47mm (w/h/d), 65g
(Approx. 1.5 × 1.8 × 1.9in., 2.3oz.)



This model is a combination of our L308VDC4PIR and DLA DC to Video Lens adapter. (specification is located in the Accessories section)

Camera Connector Wiring		Pin Signal	
1	3	1	+8-16VDC
2	4	2	N.C.
		3	Video
		4	Ground

VIDEO TYPE LENS

For cameras with standard wiring for Video type lenses (Rainbow, Panasonic, Sanyo, Sony, etc.)

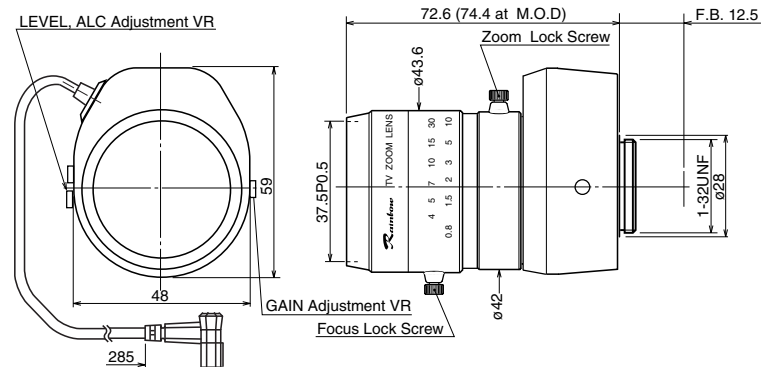
Note: Some brands (incl. Everfocus, Javelin, Watec) use the same 4-pin connector with non-standard wiring. **To avoid camera damage, compare wiring instructions in camera box to this diagram.**

L639VGECS

6.5~39mm F1.4 – CS-Mount

Compatible with 1/3" & 1/4" Cameras
Pre-wired with 4-pin connector

- Focal Length:** 6.5~39mm
- Max. Relative Aperture:** 1:1.4
- Iris:** F1.4~Approx. F360
With ND Spot Filter
- Angular Field of View:** 1/3": 40.5° × 31.0° at 6.5mm
7.0° × 5.3° at 39mm
1/4": 31.0° × 23.5° at 6.5mm
5.3° × 4.0° at 39mm
- Min. Object Distance (M.O.D.):** 0.8m (From Front Vertex)
- Optical Back Focal Distance:** 11.85mm (In Air)
- Operation:** Zoom: Manual
Focus: Manual
Iris: Auto (DC+8.5~16V: Fixed Voltage, Max. 40mA) Auto-Close System Speed Within 4 sec.
- Auto-Iris Accuracy:** With Input Video Signal 0.7Vp-p Within ±10% of Mean Value
- Auto-Iris Input Signal:** Composite Video Signal or Video Signal
- Input Impedance:** High Impedance
- Sensitivity Adjustment:** Image Signal Level 0.5~1.5Vp-p
- Operation Temperature:** -10 ~ +50°C (+14 ~ 122° F)
- Filter Size:** 37.5mm P0.5
- Mount:** CS-Mount
(Adjustable Lens Position)
- Size, Approx. Weight:** 48 × 59 × 74.4mm (w/h/d) 140g



Camera Connector Wiring		Pin Signal	
1	3	1	+8-16VDC
2	4	2	N.C.
		3	Video
		4	Ground

VIDEO TYPE LENS

For cameras with standard wiring for Video type lenses (Rainbow, Panasonic, Sanyo, Sony, etc.)

Note: Some brands (incl. Everfocus, Javelin, Watec) use the same 4-pin connector with non-standard wiring. **To avoid camera damage, compare wiring instructions in camera box to this diagram.**