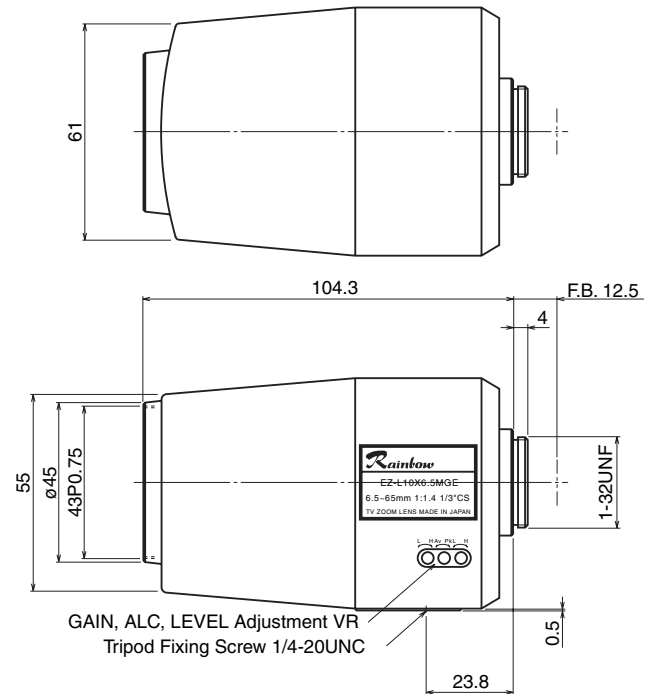
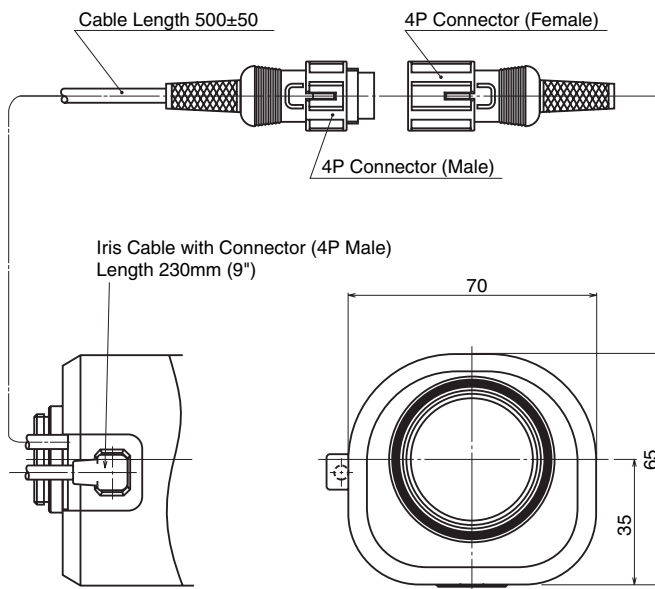


L10X65MGECS

6.5~65mm F1.4 – CS-Mount

Compatible with 1/3" Cameras
Cable Assembly Required – Sold Separately

Focal Length:	6.5~65mm	Input Impedance:	High Impedance
Max. Relative Aperture:	1:1.4	Sensitivity Adjustment:	Image Signal Level 0.5~1.0Vp-p With Input Video Signal 0.7Vp-p
Iris:	F1.4~Approx.F 360 With ND Spot Filter	Auto-Iris Accuracy:	Within ±15% of Mean value
Zoom Ratio:	10X	Operation:	Zoom: Motorized (DC±6.4V~12V, Max 40mA) Speed Approx. 6.5 sec. (at 6.4V)
Angular Field of View:	1/3": 40.5° × 31.0° at 6.5mm 4.2° × 3.2° at 65mm	Focus:	Motorized (DC±6.4V~12V, Max 40mA) Speed Approx. 6.5 sec. (at 6.4V)
Min. Object Distance (M.O.D.):	1.2m (From Front Vertex)	Iris:	Auto (DC+8.5~16V: Fixed Voltage, Max. 50mA, Auto-Close) Speed Within 4 sec.
Optical Back Focal Distance:	9.85mm (In Air)	Operation Temperature:	-10 ~ +50°C (+14 ~ 122° F)
Auto-Iris Input Signal:	Composite Video Signal or Video Signal	Filter Size:	43mm P0.75
		Mount:	CS-mount (Adjustable Lens Position)
		Size, Approx. Weight:	70 × 65 × 104.3mm (w/h/d), 285g (Approx. 2.8 × 2.6 × 4.1in., 10.1oz.)



– Circuit Diagram –

