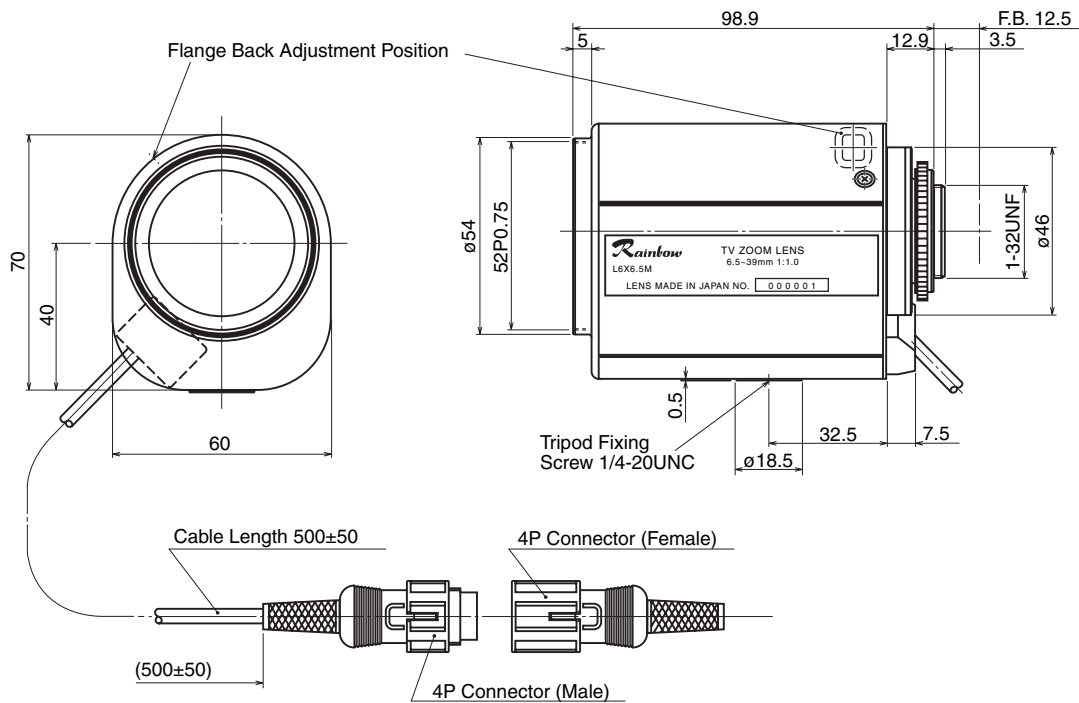


L6X6.5M/CS

6.5~39mm F1.0 – CS-Mount

Compatible with 1/3" Cameras

|                                       |   |                   |                               |   |
|---------------------------------------|---|-------------------|-------------------------------|---|
| <b>Focal Length:</b>                  | 6.5~39mm  | <b>Operation:</b> | Zoom:                         | Motorized (DC±4V~12V, Max 40mA)<br>Speed Approx. 6 sec. (at 6.4V)     |
| <b>Max. Relative Aperture:</b>        | 1:1.0   |                   | Focus:                        | Motorized (DC±4V~12V, Max 40mA)<br>Speed Approx. 7 sec. (at 6.4V)     |
| <b>Iris:</b>                          | F1.0~Close  |                   | Iris:                         | Motorized (DC±4V~12V, Max 40mA)<br>Speed Approx. 4 sec. (at 6.4V)     |
| <b>Zoom Ratio:</b>                    | 6X  |                   | <b>Operation Temperature:</b> | -10 ~ +50°C (+14 ~ 122° F)  |
| <b>Angular Field of View:</b>         | 1/3": 40.5° × 31.0° at 6.5mm<br>7.0° × 5.3° at 39mm |                   | <b>Filter Size:</b>           | 52mm P0.75  |
| <b>Min. Object Distance (M.O.D.):</b> | 1.0m (From Front Vertex)                            |                   | <b>Mount:</b>                 | CS-mount<br>(Adjustable Lens Position)                                |
| <b>Optical Back Focal Distance:</b>   | 11.28mm (In Air)                                    |                   | <b>Size, Approx. Weight:</b>  | 60× 70 × 98.9mm (w/h/d), 500g<br>(Approx. 2.4 × 2.8 × 3.9in., 1.1lb.) |



– Circuit Diagram –

