

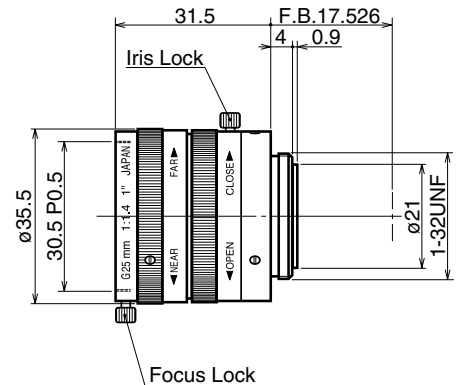
G25 1.4

25mm F1.4 – C-Mount

Compatible with 1", 2/3", 1/2", 1/3" & 1/4" Cameras

Focal Length:	25mm
Max. Relative Aperture:	1:1.4
Iris:	F1.4~Close
Angular Field of View:	1": 28.7° × 21.7° 2/3": 20.0° × 15.0° 1/2": 14.6° × 11.0° 1/3": 11.0° × 8.2° 1/4": 8.2° × 6.2°
Min. Object Distance (M.O.D.):	0.5m (From Front Vertex)
Optical Back Focal Distance:	14.32mm (In Air)
Operation:	Focus: Manual Iris: Manual
Operation Temperature:	-10 ~ +50°C (+14 ~ 122° F)
Filter Size:	30.5mm P0.5
Size, Approx. Weight:	ø35.5 × 31.5mm, 90g (Approx. ø1.4 × 1.3in., 3.2oz.)

METAL BODY



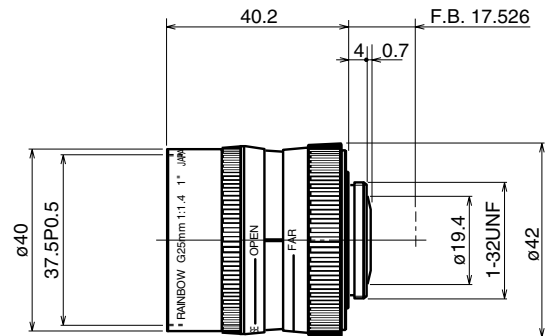
G25 1.4M

25mm F1.4 – C-Mount

Compatible with 1", 2/3", 1/2", 1/3" & 1/4" Cameras

Focal Length:	25mm
Max. Relative Aperture:	1:1.4
Iris:	F1.4~Close
Angular Field of View:	1": 28.7° × 21.7° 2/3": 20.0° × 15.0° 1/2": 14.6° × 11.0° 1/3": 11.0° × 8.2° 1/4": 8.2° × 6.2°
Min. Object Distance (M.O.D.):	0.5m (From Front Vertex)
Optical Back Focal Distance:	14.32mm (In Air)
Operation:	Focus: Manual Iris: Manual
Operation Temperature:	-10 ~ +50°C (+14 ~ 122° F)
Filter Size:	37.5mm P0.5
Size, Approx. Weight:	ø42 × 40.2mm, 65g (Approx. ø1.7 × 1.6in., 2.3oz.)

ABS BODY



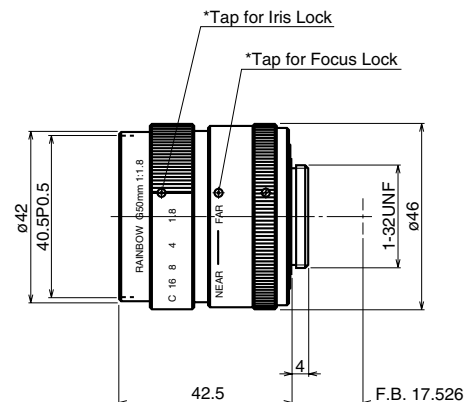
G50 1.8

50mm F1.8 – C-Mount

Compatible with 1", 2/3", 1/2", 1/3" & 1/4" Cameras

Focal Length:	50mm
Max. Relative Aperture:	1:1.8
Iris:	F1.8~Close
Angular Field of View:	1": 14.5° × 10.9° 2/3": 10.1° × 7.6° 1/2": 7.3° × 5.5° 1/3": 5.5° × 4.1° 1/4": 4.1° × 3.1°
Min. Object Distance (M.O.D.):	0.7m (From Front Vertex)
Optical Back Focal Distance:	19.71mm (In Air)
Operation:	Focus: Manual Iris: Manual
Operation Temperature:	-10 ~ +50°C (+14 ~ 122° F)
Filter Size:	40.5mm P0.5
Size, Approx. Weight:	ø46 × 42.5mm, 145g (Approx. ø1.8 × 1.7in., 5.1oz.)

METAL BODY



NOTE) * Lock screws sold separately.