

**L308VDC4PIR**

DAY NIGHT IR

3~8mm F1.4 – CS-Mount  
Compatible with 1/3" & 1/4" Cameras

**Focal Length:** 3~8mm

**Max. Relative Aperture:** 1:1.4

**Iris:** F1.4~Approx. F360  
With ND Spot Filter

**Angular Field of View:**  
1/3": 92.9° × 68.4° at 3mm  
35.7° × 26.8° at 8mm  
1/4": 61.9° × 44.5° at 3mm  
26.8° × 19.1° at 8mm

**Min. Object Distance (M.O.D.):** 0.3m (From Front Vertex)

**Optical Back Focal Distance:** 7.25~12.81mm (In Air)

**Operation:** Zoom: Manual  
Focus: Manual  
Iris: IG (Auto-Close System)

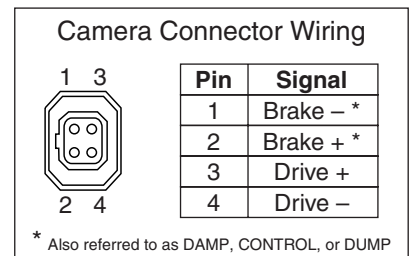
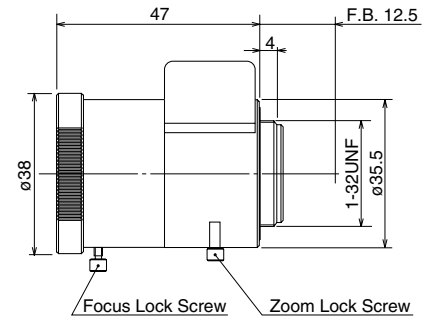
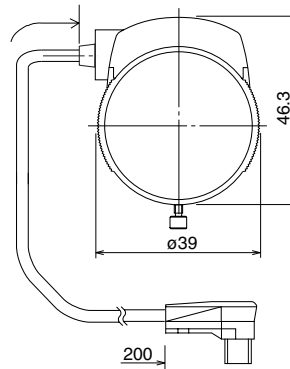
**Operation Voltage:** Close to Open: Less than 3V  
Open to Close: More than 0.5V

**Operation Temperature:** -10 ~ +50°C (+14 ~ 122° F)

**Filter Size:** None

**Mount:** CS-Mount  
(Adjustable Lens Position)

**Size, Approx. Weight:** 39 × 46.3 × 47mm (w/h/d), 65g  
(Approx. 1.5 × 1.8 × 1.9in., 2.3oz.)



**L550VDC4P**

5~50mm F1.45 – CS-Mount  
Compatible with 1/3" & 1/4" Cameras

**Focal Length:** 5~50mm

**Max. Relative Aperture:** 1:1.45

**Iris:** F1.45~Approx. F360  
Built-in ND Spot Filter

**Angular Field of View:**  
1/3": 54.2° × 40.4° at 5mm  
5.6° × 4.2° at 50mm  
1/4": 40.4° × 30.1° at 5mm  
4.2° × 3.1° at 50mm

**Min. Object Distance (M.O.D.):** 0.3m (From Front Vertex)

**Optical Back Focal Distance:** 15.23mm (In Air)

**Operation:** Zoom: Manual  
Focus: Manual  
Iris: IG (Auto-Close System)

**Operation Voltage:** Close to Open: Less than 3V  
Open to Close: More than 0.5V

**Operation Temperature:** -10 ~ +50°C (+14 ~ 122° F)

**Filter Size:** 52mm P0.75

**Mount:** CS-Mount  
(Adjustable Lens Position)

**Size, Approx. Weight:** 55 × 56 × 73.5mm (w/h/d), 140g  
(Approx. 2.2 × 2.2 × 2.9in., 4.9oz.)

